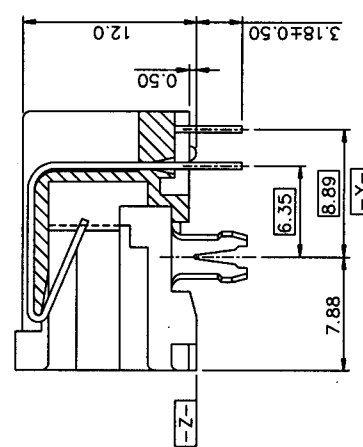
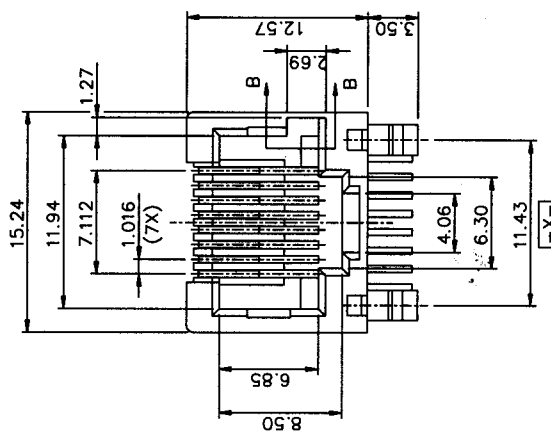
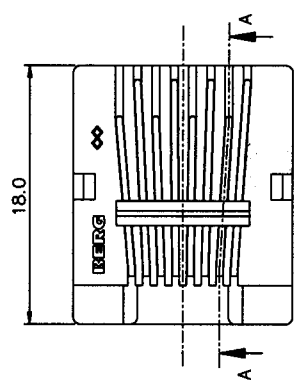
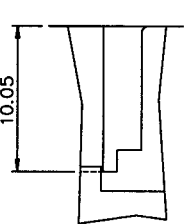
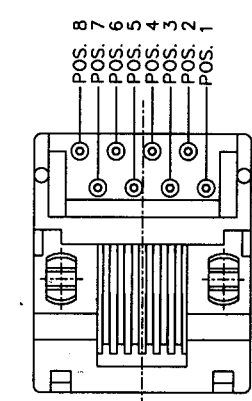


PART NO.	NO. OF POSITION	LOADED POSITION	CONTACTS PLATING
74591-088	8	ALL	30u" GXT
74591-088LF			
74591-388			
74591-388LF			
74591-588			
74591-588LF		50u" AU	

LEAD FREE PRODUCT NO.

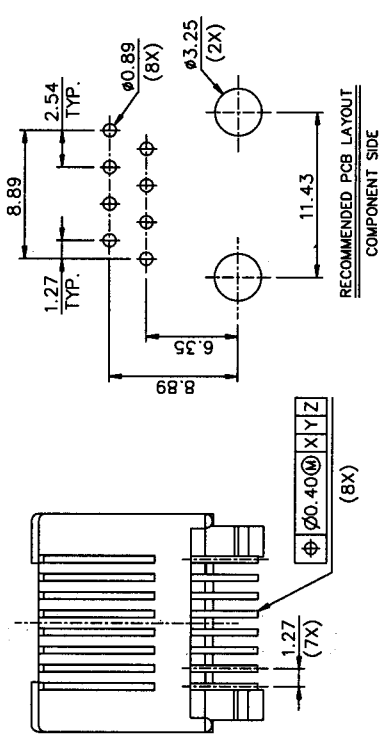


SEC. A-A



SECTION B-B

- NOTES:
1. RECOMMENDED PCB THICKNESS 1.6mm.
  2. HOUSING MAT'L: NYLON 66, 25% GLASS REINFORCED, UL 94V-0, COLOR BLACK.
  3. CONTACTS: PHOSPHOR BRONZE ALLOY UNS-C51000, #0.46 ROUND WIRE. PLATING: SEE TABLE.
  4. PROTRUDED SHELF ONLY APPEARS ON 8 POS. JACK.
  5. PACKAGING SPEC.: GES-14-361(USE TUBE).
  6. THIS PRODUCT MEETS EUROPEAN UNION DIRECTIVES AND OTHER COUNTRY REGULATIONS AS DESCRIBED IN GS-22-008.
  7. THE HOUSING WILL WITHSTAND EXPOSURE TO 260°C PEAK TEMPERATURE FOR 10 SECONDS IN A WAVE SOLDER APPLICATION WITH A 1.60mm MINIMUM THICK CIRCUIT BOARD.
  8. IF LF P/N PACKAGING MEETS GS-14-920 SPECIFICATION.



mat'l code		tolerance unless otherwise specified		CUSTOMER	
rev.	ecn no. dr date	linear	.0 ± 0.25	COPY	FCI electronics
A	108-0018/YS 07/25/06	angles	.000± 0.13	projection	www.fciconnect.com
		enar	± 2°	unit	MODIFIED LOW PROFILE PCB III
		dr	CATHY LIN 04/13/98	mm/inch	HORIZ MOD JACK, FOR 1.6MM P.C.B.
		enar	TONY CHEN 04/13/98	code	WITHOUT PANEL STOP, KEVED
		ch	TONY CHEN 04/13/98	product family	MOD JACK
		pppl	JENN TSAO 04/13/98	size	TWN
sheet	revision	scale	3 : 1	dwg no.	74591
index	sheet			sheet	1 OF 1

Tous droits strictement reserves. Reproduction ou communication a des tiers est interdite sans l'ecrit de son autorisation ecrite du titulaire. Droits de reproduction FCI ELECTRONICS by